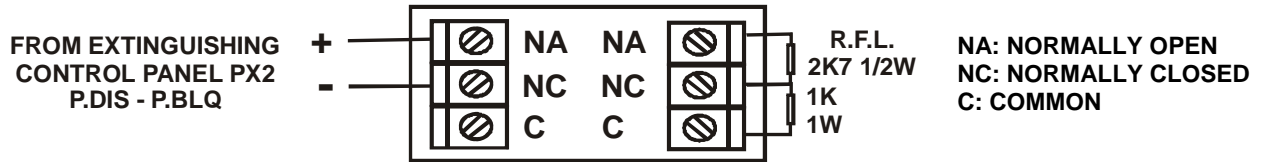


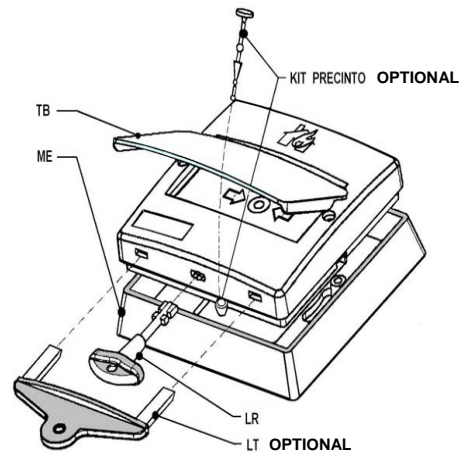
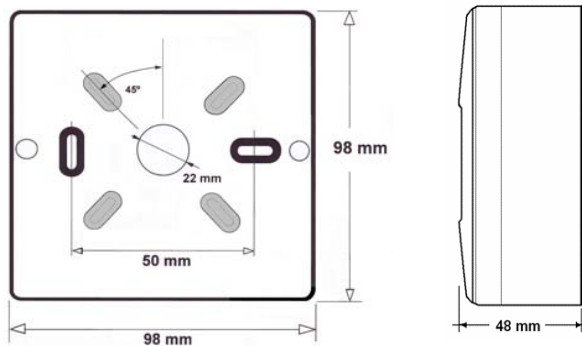
**EXTINGUISHANT RELEASE PUSHBUTTON MOD. AE/V-PD2I**  
**EXTINGUISHANT STOP PUSHBUTTON MOD. AE/V-PB2I**  
**EMERGENCY PUSHBUTTON MOD. AE/V-PEI**



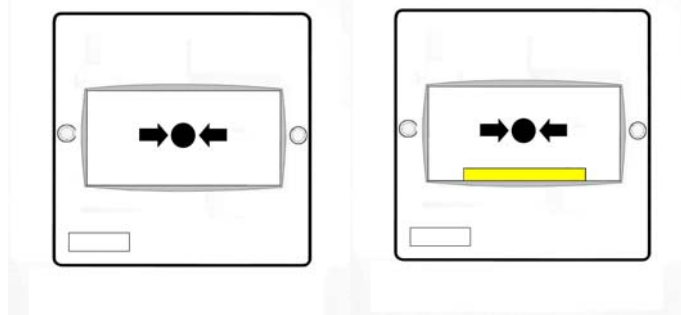
**TECHNICAL CHARACTERISTICS**

Class: T type A – Indoor installation.  
 Dimensions: 98 x 98 x 48 mm  
 Fixing screw: 2x (M3 x 35 mm)  
 Working temperature: -10° a 50° C  
 Storage temperature: -10° a 50° C  
 Max. humidity: 95 %

**DIMENSIONS**



**ACTIVATION:**



**RESET**

1° Insert the key

2° Turn the key 90° clockwise

3° Pull the key until reset the yellow flag

